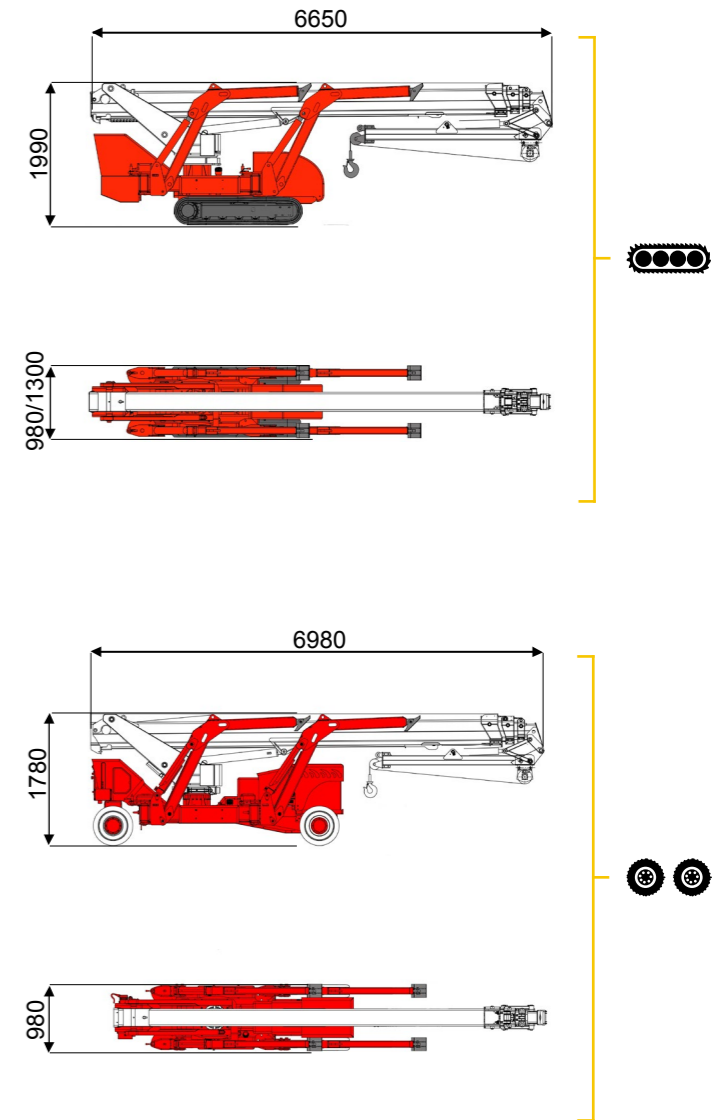
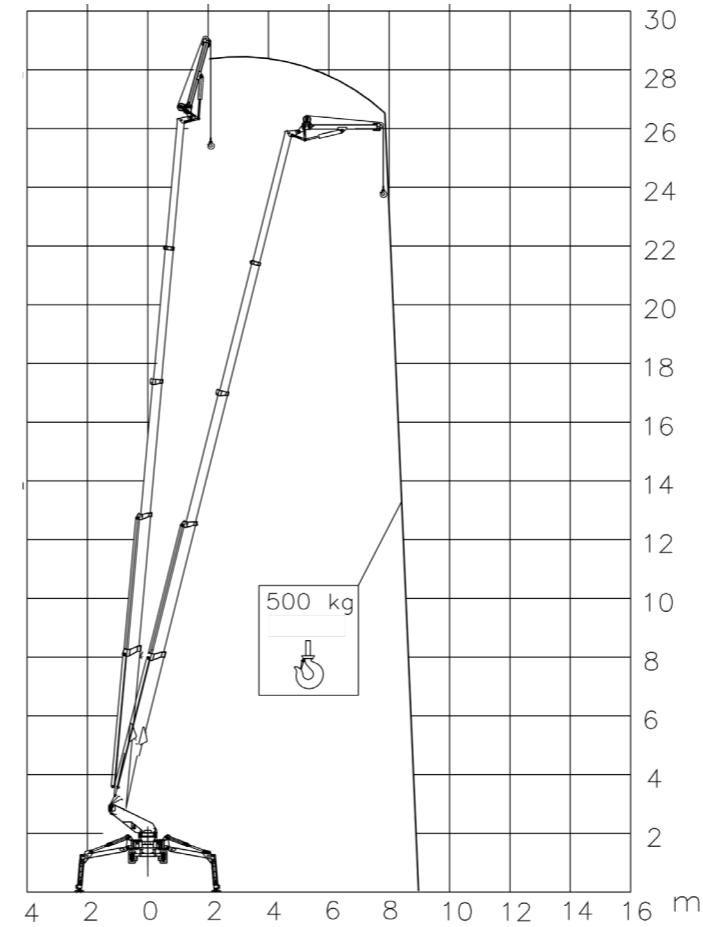




28,5 m ↑
9 m →
500 Kg ⚙️



BI-ENERGY Diesel+AC													
TSJ 30.1/C		28,5 m	9 m	500 kg	660°	2,87-4,79 m	44%	42%	1,2 km/h	4650 kg	29 kN	1,97 kN/m ²	3,88 kN/m ²
TSJ 30.1/R		28,5 m	9 m	500 kg	660°	2,87-4,79 m	44%	29%	1,2 km/h	4840 kg	29 kN	2,05 kN/m ²	3,85 kN/m ²

Available version:

- BI-ENERGY (DIESEL+AC)
- ECO (DC+AC)
- HYBRID (DIESEL+DC)

Characteristics and technical data are informative only and subjected to change without notice.