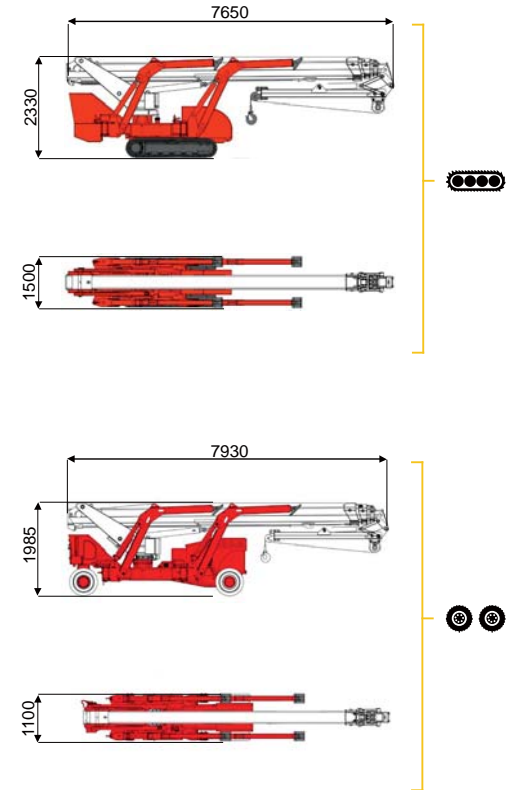
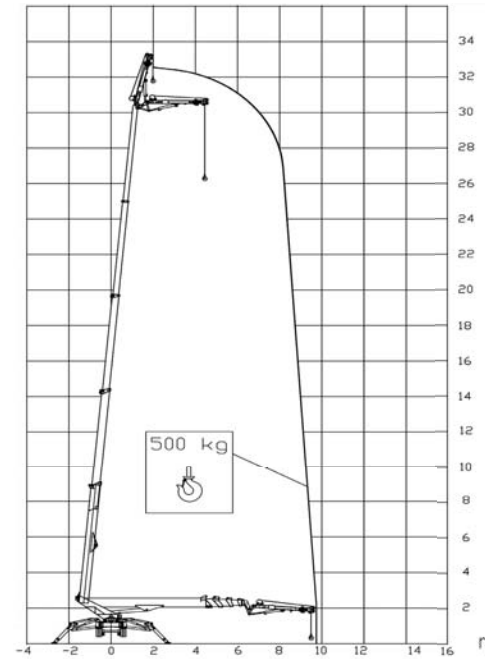




32 m ↑  
10 m →  
500 Kg ⚙



BI-ENERGY  
Diesel+AC



TSJ 35/C



32 m

10 m

500 kg

660°

2,74-4,2 m

14%

49%

2,4 km/h

6600 kg

42 kN

3,16 kN/m<sup>2</sup>

4,79 kN/m<sup>2</sup>

TSJ 35/R



32 m

9,2 m

500 kg

660°

2,74-4,2 m

31%

12%

1,2 km/h

6800 kg

42 kN

3,25 kN/m<sup>2</sup>

4,76 kN/m<sup>2</sup>

Available version:

BI-ENERGY (DIESEL+AC)  
ECO (DC+AC)  
HYBRID (DIESEL+DC)

Characteristics and technical data are informative only and subjected to change without notice.