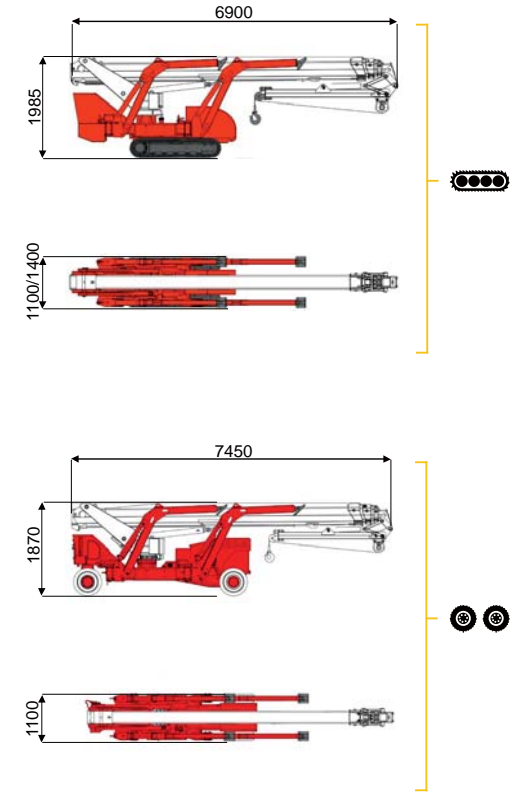
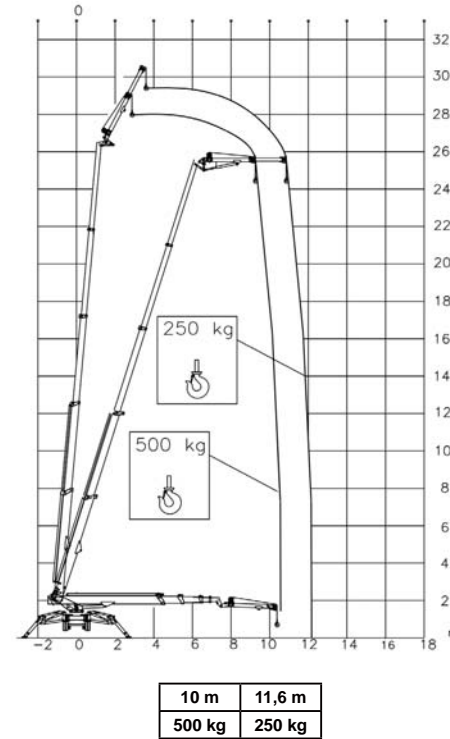




31 m ↑
11,6 m →
500 Kg ⚙



BI-ENERGY
Diesel+AC



XTJ 32/C



31 m

11,6 m

500 kg

660°

2,82-4,76 m

16%

38%

3 km/h

5940 kg

35 kN

2,43 kN/m²

4,78 kN/m²

XTJ 32/R



31 m

11,6 m

500 kg

660°

2,82-4,76 m

16%

18%

2 km/h

5940 kg

35 kN

2,43 kN/m²

4,43 kN/m²

Available version:

BI-ENERGY (DIESEL+AC)
ECO (DC+AC)
HYBRID (DIESEL+DC)

Characteristics and technical data are informative only and subjected to change without notice.