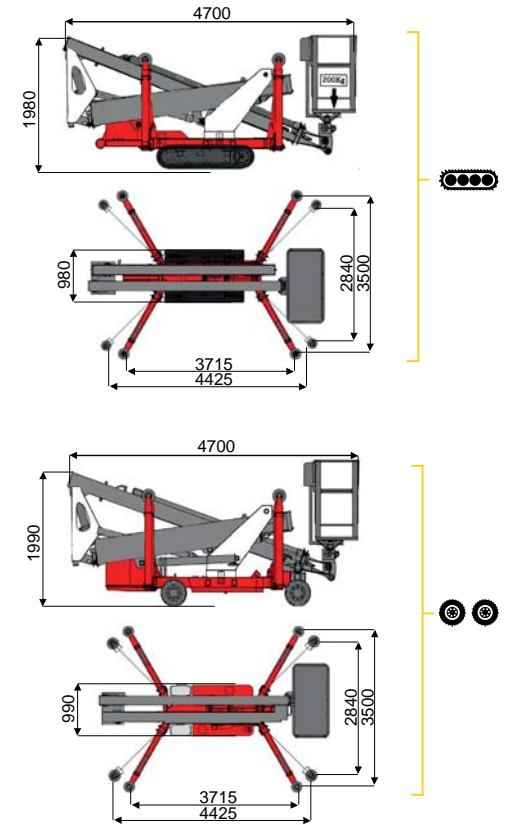
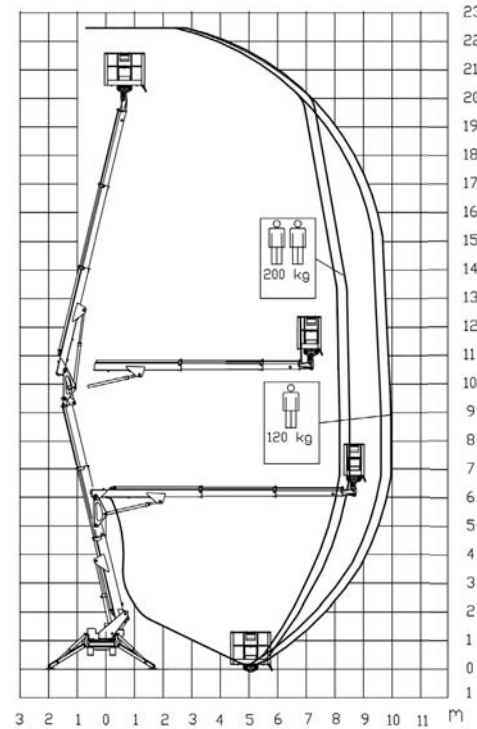




22,5 m ↑  
10,25 m →  
200 Kg 🧑🧑



BI-ENERGY  
Diesel+AC



TZX 225/C



22,5 m

10,25 m

200 kg

360°

140x70 cm

90°+90°

2,84-3,5 m

19%

23%

2,4 km/h

2500 kg

19,5 kN

1,92 kN/m<sup>2</sup>

3,8 kN/m<sup>2</sup>

TZX 225/R



22,5 m

10,25 m

200 kg

360°

140x70 cm

90°+90°

2,84-3,5 m

19%

21%

1,5 km/h

2500 kg

19,5 kN

1,92 kN/m<sup>2</sup>

3,8 kN/m<sup>2</sup>

Available version:

**BI-ENERGY (DIESEL+AC)**  
**ECO (DC+AC)**

Characteristics and technical data are informative only and subjected to change without notice.



COMPANY WITH  
QUALITY SYSTEM  
CERTIFIED BY DNV GL  
= ISO 9001 =

Palazzani Industrie S.p.A.  
Via del Pavione, 4 - 25050 - Paderno F.C. (BS) - Italy  
Tel. (+39) 0306857073  
platforms@palazzani.it  
[www.palazzani.it](http://www.palazzani.it)