



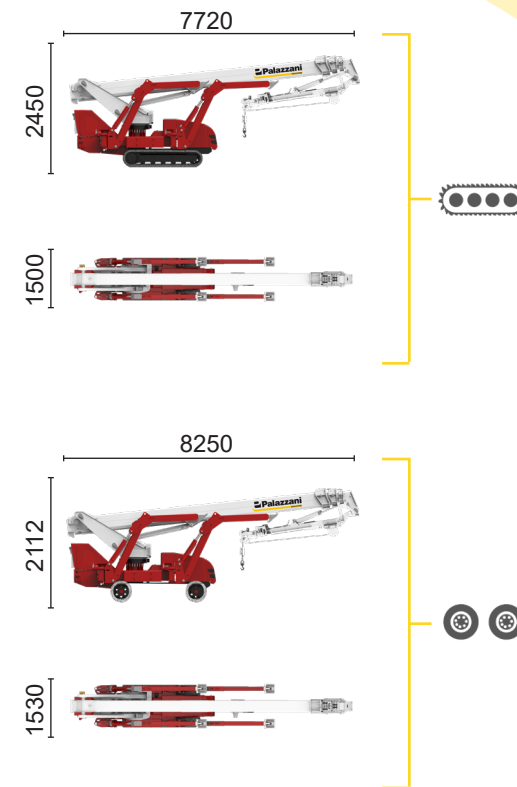
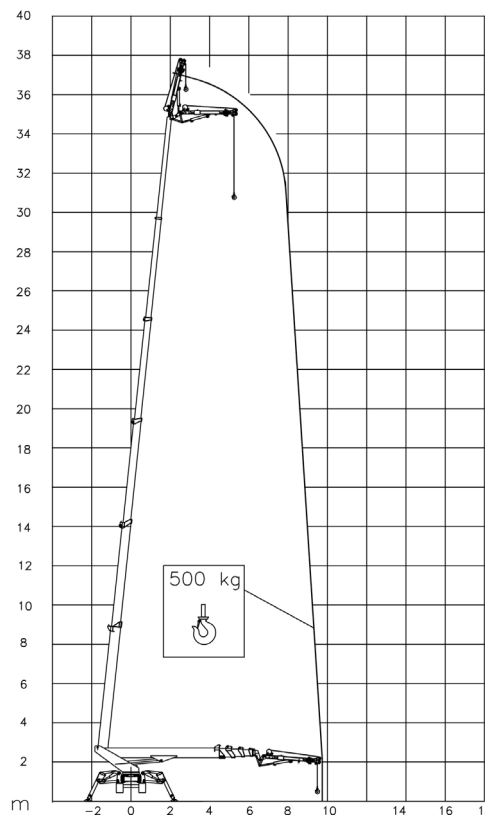
BI-ENERGY



Diesel
18,2 kW



Single-phase
Electric motor
230VAC - 2,2 kW



| | | | | | | | | | | | | | | | |
|----------|--|------|-------|--------|------|-----------|---------|------------|-----|-----|----------|---------|-------|------------------------|------------------------|
| TSJ 39/C | | 37 m | 9,7 m | 500 kg | 660° | 240x70 cm | 90°+80° | 2,92-4,7 m | 18% | 40% | 1,8 km/h | 7960 kg | 47 kN | 3,41 kN/m ² | 4,3 kN/m ² |
| TSJ 39/R | | 37 m | 9,7 m | 500 kg | 660° | 240x70 cm | 90°+80° | 2,92-4,7 m | 31% | 12% | 1,4 km/h | 7800 kg | 47 kN | 3,35 kN/m ² | 3,94 kN/m ² |

Available power options:

- BI-ENERGY** (DIESEL+AC)
- ECO** (AC+BATTERY)
- HYBRID** (DIESEL+AC+BATTERY)

Characteristics and technical data are informative only and subjected to change without notice.


Palazzani Industrie S.p.A.
Via del Pavione, 4 - 25050 - Paderno F.C. (BS) - Italy
Tel. (+39) 0306857073
info@palazzani.it
www.palazzani.it




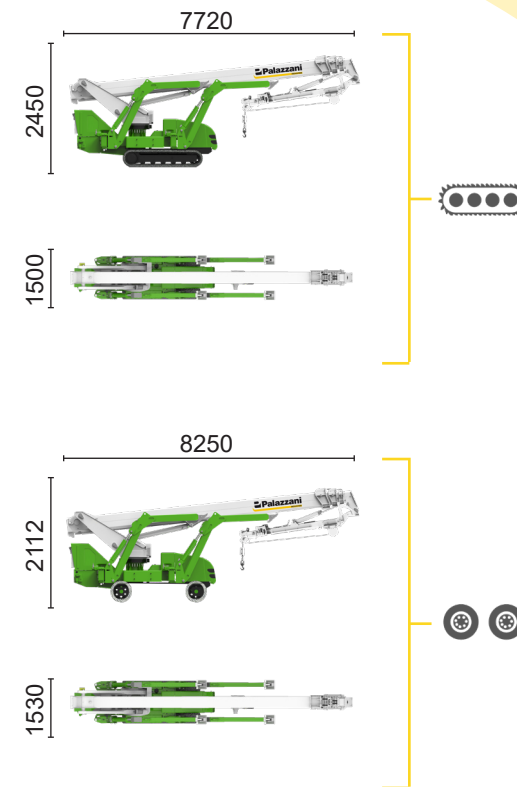
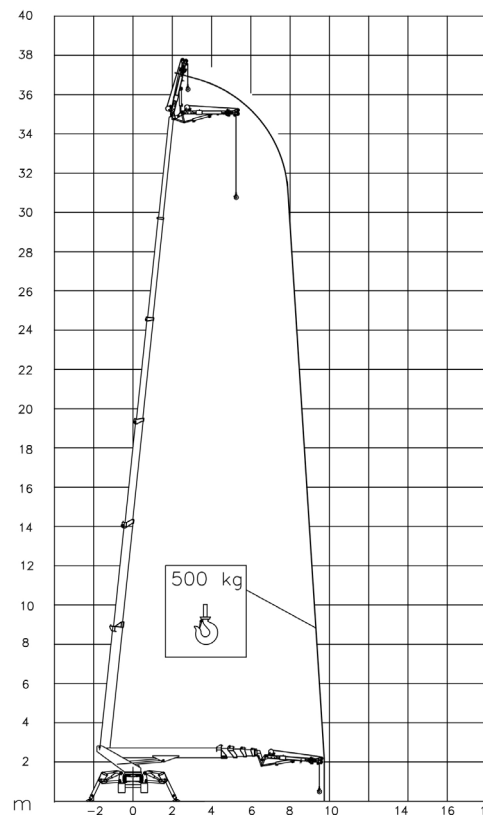
NC 813 A 22





ECO

 Single-phase
Electric motor
230VAC - 16 kW

 Lithium iron
phosphate battery
LiFePO4
48V - 315 Ah



| | | | | | | | | | | | | | | | |
|----------|---|------|-------|--------|------|-----------|---------|------------|-----|-----|----------|---------|-------|------------------------|------------------------|
| TSJ 39/C |  | 37 m | 9,7 m | 500 kg | 660° | 240x70 cm | 90°+80° | 2,92-4,7 m | 18% | 40% | 1,8 km/h | 7960 kg | 47 kN | 3,41 kN/m ² | 4,3 kN/m ² |
| TSJ 39/R |  | 37 m | 9,7 m | 500 kg | 660° | 240x70 cm | 90°+80° | 2,92-4,7 m | 31% | 12% | 1,4 km/h | 7800 kg | 47 kN | 3,35 kN/m ² | 3,94 kN/m ² |

Available power options:

- BI-ENERGY** (DIESEL+AC)
- ECO** (AC+BATTERY)
- HYBRID** (DIESEL+AC+BATTERY)


Characteristics and technical data are informative only and subjected to change without notice.


Palazzani Industrie S.p.A.
Via del Pavione, 4 - 25050 - Paderno F.C. (BS) - Italy
Tel. (+39) 0306857073
info@palazzani.it
www.palazzani.it




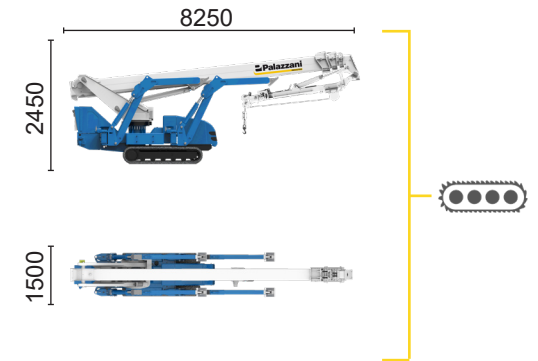
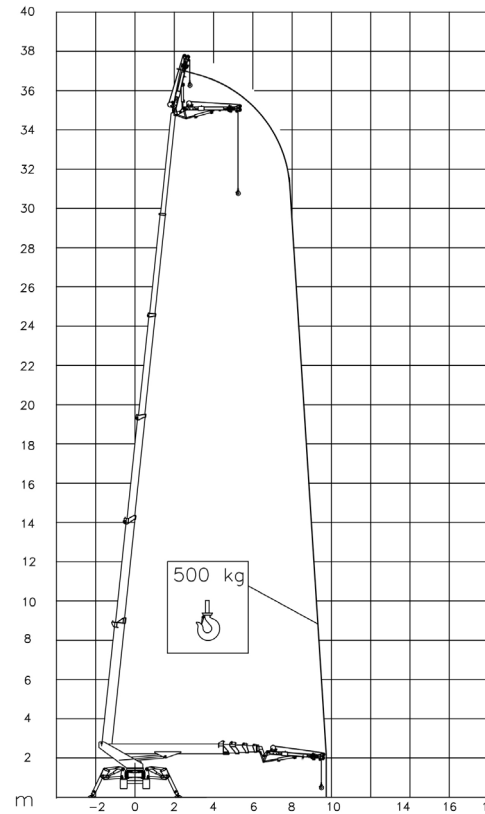



HYBRID²

 Diesel
14,7 kW




 Single-phase
Electric motor
230VAC - 16 kW

 Lithium iron
phosphate battery
LiFePO4
48V - 315 Ah



TSJ 39/C  37 m 9,7 m 500 kg 660° 240x70 cm 90°+80° 2,92-4,7 m 18% 40% 2,2 km/h 8100 kg 47 kN 3,47 kN/m2 4,09 kN/m2

Available power options:

-  **BI-ENERGY** (DIESEL+AC)
-  **ECO** (AC+BATTERY)
-  **HYBRID²** (DIESEL+AC+BATTERY)

Characteristics and technical data are informative only and subjected to change without notice.

Palazzani Industrie S.p.A.
Via del Pavione, 4 - 25050 - Paderno F.C. (BS) - Italy
Tel. (+39) 0306857073
info@palazzani.it
www.palazzani.it

