

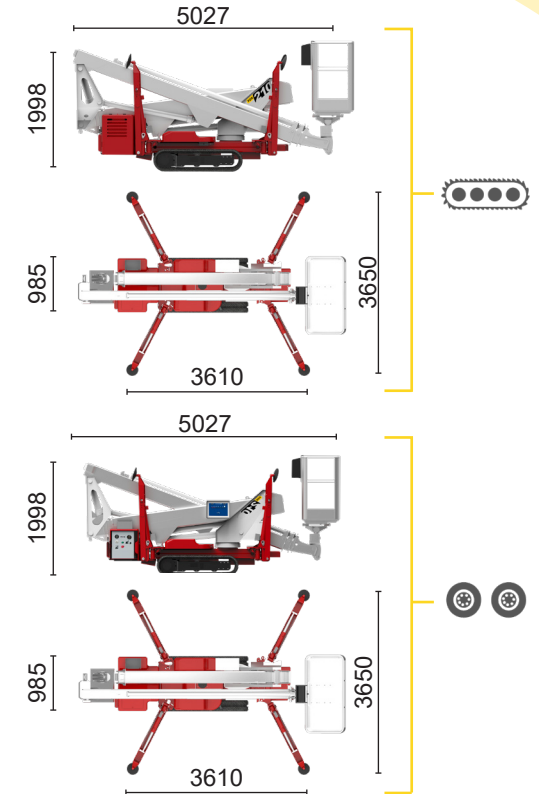
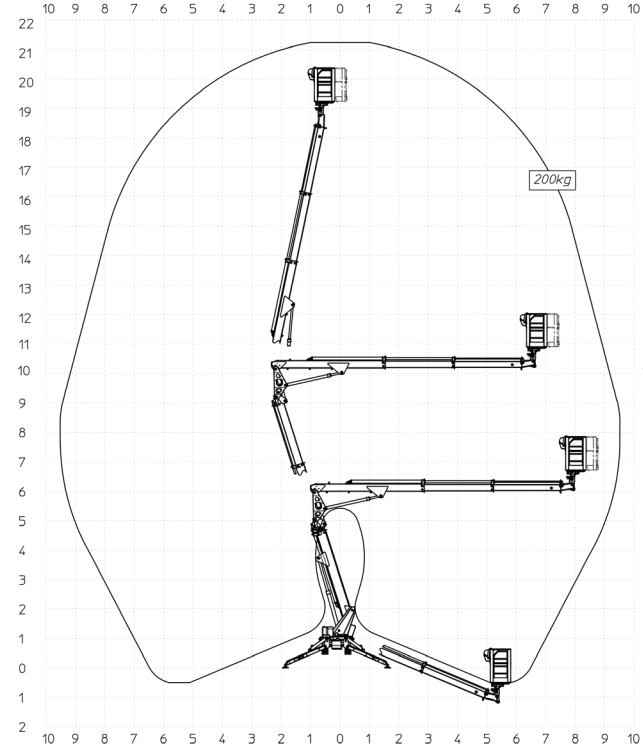
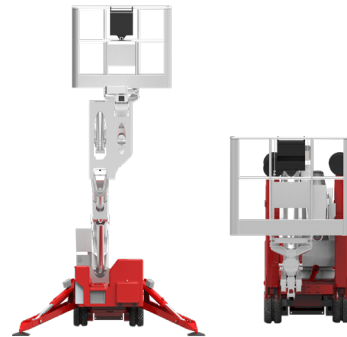






BI-ENERGY

 Diesel
10,6 kW

 Single-phase
Electric motor
230 VAC - 2,5 kW



TZX 210/C		21,2 m	9,5 m	200 kg	360°	140x70 cm	90°+90°	3,65 m	21%	23%	2 km/h	2500 kg	19 kN	1,9 kN/m ²	3,55 kN/m ²
TZX 210/R		21,2 m	9,5 m	200 kg	360°	140x70 cm	90°+90°	3,65 m	21%	23%	2 km/h	2500 kg	19 kN	1,9 kN/m ²	3,55 kN/m ²

Available power options:
ECO (AC+BATTERY)


The technical data may deviate +/- 3% from the specified values.
Characteristics and technical data are informative only and subjected to change without notice.


Palazzani Industrie S.p.A.
Via del Pavione, 4 - 25050 - Paderno F.C. (BS) - Italy
Tel. (+39) 0306857073
info@palazzani.it
www.palazzani.it

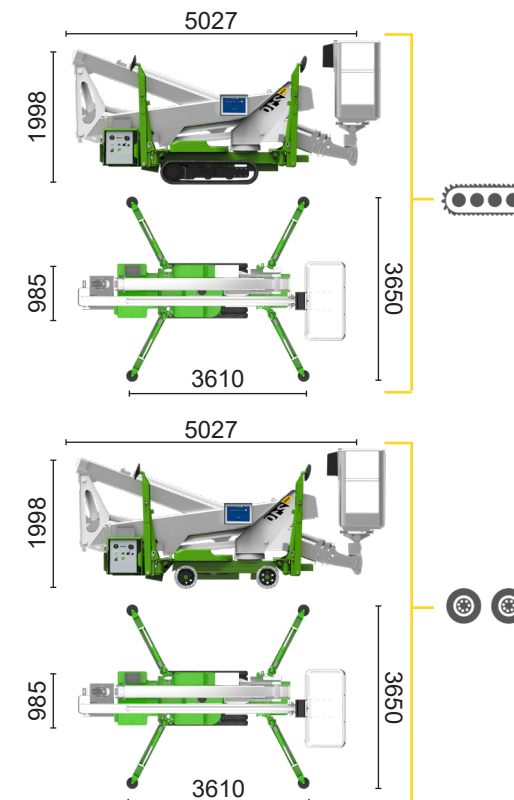
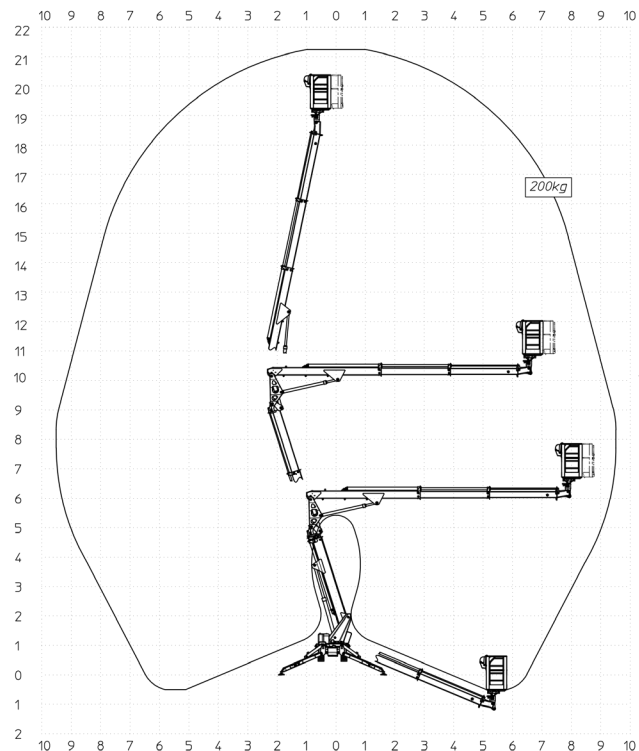






ECO

 Inverter actuated Electric motor

 Lithium iron phosphate battery LiFePO4



TZX 210/C		21,2 m	9,5 m	200 kg	360°	140x70 cm	90°+90°	3,65 m	21%	23%	2 km/h	2500 kg	19 kN	1,9 kN/m2	3,55 kN/m2
TZX 210/R		21,2 m	9,5 m	200 kg	360°	140x70 cm	90°+90°	3,65 m	21%	23%	2 km/h	2500 kg	19 kN	1,9 kN/m2	3,55 kN/m2

Available power options:

 **BI-ENERGY** (DIESEL+AC)

The technical data may deviate +/- 3% from the specified values.

Characteristics and technical data are informative only and subjected to change without notice.

Palazzani Industrie S.p.A.

Via del Pavione, 4 - 25050 - Paderno F.C. (BS) - Italy

Tel. (+39) 0306857073

info@palazzani.it

www.palazzani.it

