

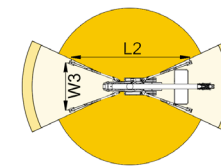
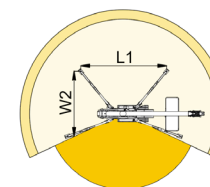
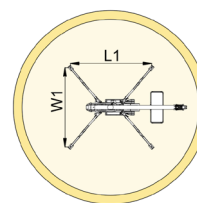
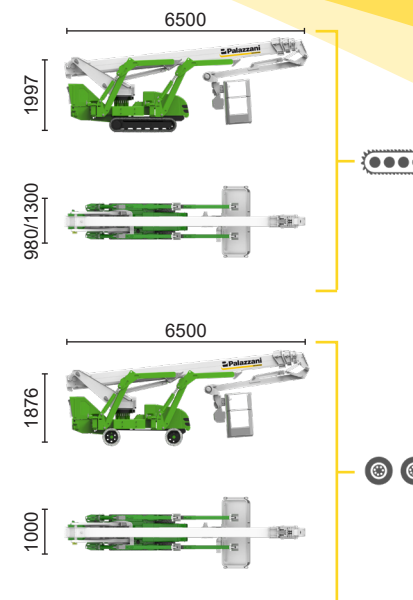
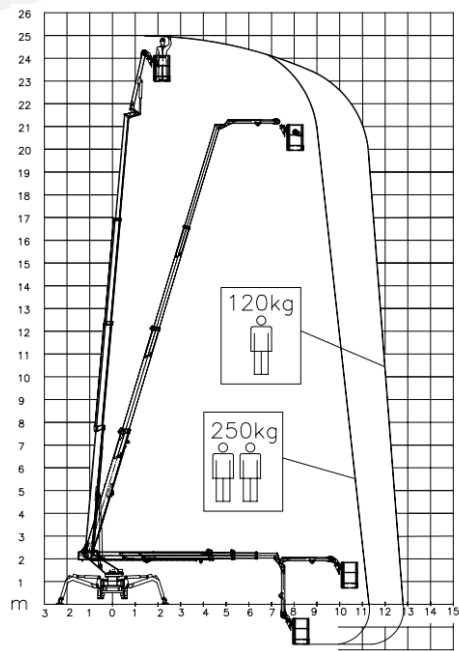
ECO



Inverter actuated
Electric motor
5,5 kW



Lithium iron
phosphate battery
LiFePO4



11,3 m	12,8 m	6,6 m	L1	L2	W1	W2	W3
250 kg	120 kg	250/120 kg	4971 mm	6542 mm	4853 mm	3732 mm	2610 mm



TSJ 25/C		25 m	12,8 m	250 kg	660°	180x70 cm	90°+80°	2,61-4,85 m	32%	36%	1 km/h	3950 kg	26 kN	1,64 kN/m ²	3,38 kN/m ²
TSJ 25/R		25 m	12,8 m	250 kg	660°	180x70 cm	90°+80°	2,61-4,85 m	32%	19%	1 km/h	3950 kg	26 kN	1,64 kN/m ²	3,38 kN/m ²

Available power options:

BI-ENERGY (DIESEL+AC)

HYBRID² (DIESEL+AC+BATTERY)

The technical data may deviate +/- 3% from the specified values.

Characteristics and technical data are informative only and subjected to change without notice.

Palazzani Industrie S.p.A.

Via del Pavione, 4 - 25050 - Paderno F.C. (BS) - Italy

Tel. (+39) 0306857073

info@palazzani.it

www.palazzani.it



NC 904 A 24