



BI-ENERGY



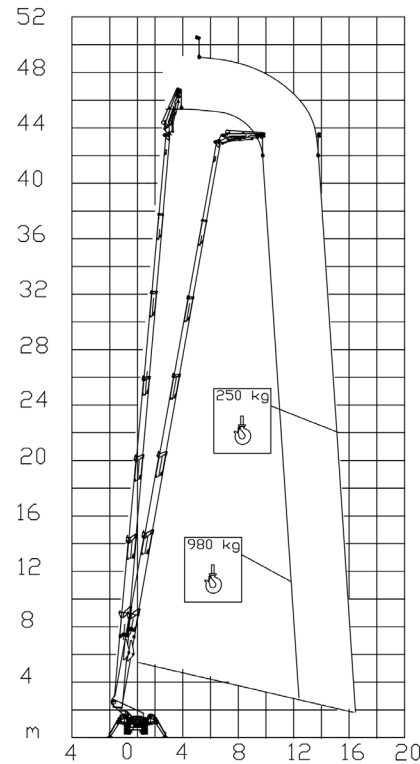
Diesel
32,5 kW



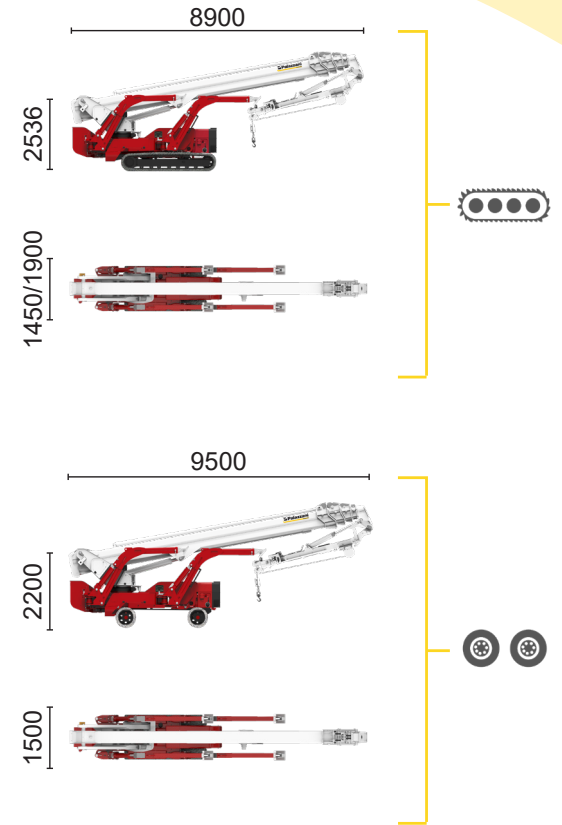
Single-phase
Electric motor
230 VAC - 2,2 kW



Three-phase
Electric motor
400 VAC - 5,5 kW



980 kg	250 kg
12,5 m	16,5 m



XTJ 52+/C	61 m	16,5 m	980 kg	660°	240x70 cm	90°+80°	4,13-5,17 m	16%	42%	2 km/h	14980 kg	95 kN	4,46 kN/m ²	7,01 kN/m ²
XTJ 52+/R	61 m	16,5 m	980 kg	660°	240x70 cm	90°+80°	4,13-5,17 m	16%	21%	1 km/h	15060 kg	95 kN	4,51 kN/m ²	6,61 kN/m ²

Available power options:
ECO (AC+BATTERY)

The technical data may deviate +/- 3 % from the specified values.
Characteristics and technical data are informative only and subjected to change without notice.

Palazzani Industrie S.p.A.
Via del Pavione, 4 - 25050 - Paderno F.C. (BS) - Italy
Tel. (+39) 0306857073
info@palazzani.it
www.palazzani.it





ECO



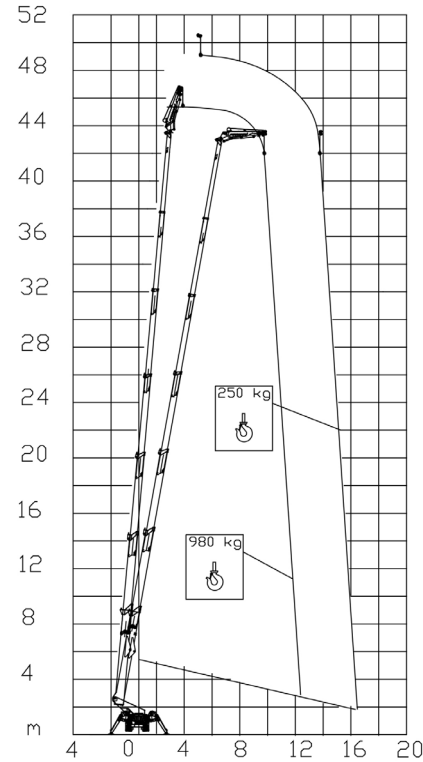
Inverter actuated
Electric motor
20 kW



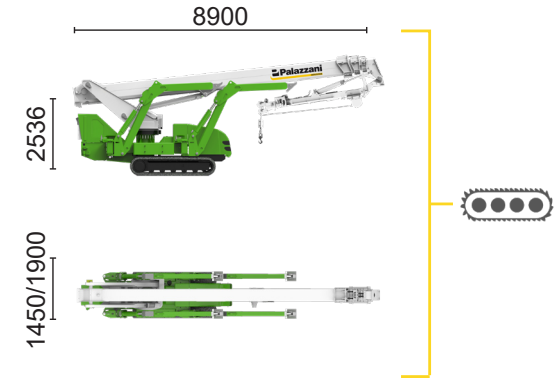
Lithium iron
phosphate battery
LiFePO4 - 29,1 kWh
(48 V - 570 Ah)



Type 2 plug charge



980 kg	250 kg
12,5 m	16,5 m



XTJ 52+/C



61 m

16,5 m

980 kg

660°

240x70 cm

90°+80°

4,13-5,17 m

16%

42%

2 km/h

14980 kg

Available power options:

BI-ENERGY (DIESEL+AC)

The technical data may deviate +/- 3 % from the specified values.

Characteristics and technical data are informative only and subjected to change without notice.

Palazzani Industrie S.p.A.

Via del Pavione, 4 - 25050 - Paderno F.C. (BS) - Italy

Tel. (+39) 0306857073

info@palazzani.it

www.palazzani.it



NC 1021 A 25